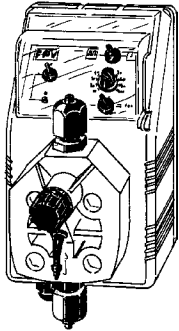


"F Self Venting"

Configuration



Power supply: 230 VAC (190÷265 VAC)
 Power supply: 115 VAC (90÷135 VAC)
 Power supply: 24 VAC (20÷32 VAC)
 Power supply: 12 VDC (10÷16 VDC)

MODELS		
Standard	Self Venting	
CO	AO	"FCO" Constant pump with level control.
CL	AL	"FCL" Constant pump with level control stroke speed (frequency adjustment)
IC	AC	"FIC" Constant-proportional pump driven by current signal (0 / 4mA = 0 impuls; 20mA = max impuls) and level control.
IS	AS	"FIS" Constant-proportional pump driven by external digital signal, with level control: to each external pulse correspond one pump stroke.
PV	AV	"FPV" Constant-proportional pump driven driven by external digital signal, with pulse divider mode (ratio 1 to 1000).
MV	AM	"FPM" Constant- proportional pump driven by external digital signal, level control, with pulse divider mode (ratio 1 to 1000)and multiplier mode (ratio1 to 10).
TE	AE	"FTE" (0" ÷60") timered pump with external digital signal and level control.
DR	AR	"FPDR" Metering pump with adjustable operation and stand-by timers, stroke speed.

CAPACITIES			HOSE	VALVE
121.5	1.5 l/h against 12 bar	0.40 GPH a 174 PSI	4x6	3/8"
102.2	2.2 l/h against 10 bar	0.58 GPH a 145 PSI	4x6	3/8"
0703	3 l/h against 7 bar	0.79 GPH a 102 PSI	4x6	3/8"
0705	5 l/h against 7 bar	1.32 GPH against 102 PSI	4x6	3/8"
0606	6 l/h against 6 bar	1.59 GPH against 87 PSI	4x6	3/8"
0507	7 l/h against 5 bar	1.85 GPH against 73 PSI	4x6	3/8"
0505	5 l/h against 5 bar	1.32 GPH against 73 PSI	4x6	3/8"
036.5	6.5 l/h against 3 bar	1.72 GPH against 44 PSI	4x6	3/8"
038.5	8.5 l/h against 3 bar	2.25 GPH against 44 PSI	4x6	3/8"
1005	5 l/h against 10 bar	1.32 GPH against 145 PSI	4x6	3/8"
0510	10 l/h against 5 bar	2.64 GPH against 73 PSI	4x6	3/8"
0311	11 l/h against 3 bar	2.91 GPH against 44 PSI	4x6	3/8"
050.2	0.2 l/h against 5 bar	0.05 GPH against 73 PSI	4x6	3/8"
CAPACITIES Self Venting MODELS			HOSE	VALVE
103.2	3.2 l/h against 10 bar	0.85 GPH against 145 PSI	4x6	3/8"
100.6	0.6 l/h against 10 bar	0.16 GPH against 145 PSI	4x6	3/8"
071.5	1.5 l/h against 7 bar	0.40 GPH against 102 PSI	4x6	3/8"
053.2	3.2 l/h against 5 bar	0.85 GPH against 73 PSI	4x6	3/8"
036.5	6.5 l/h against 3 bar	1.71 GPH against 44 PSI	4x6	3/8"
034.7	4.7 l/h against 3 bar	1.24 GPH against 44 PSI	4x6	3/8"

Model F **CO** **121.5** **V** **00** **00**

POWER SUPPLY	
00	230 VAC Schuko plug
0S	230 VAC Australian plug
01	230 VAC Whitout plug
03	115 VAC US plug
04	24 VAC Whitout plug
05	12 VCC
07	24 VCC

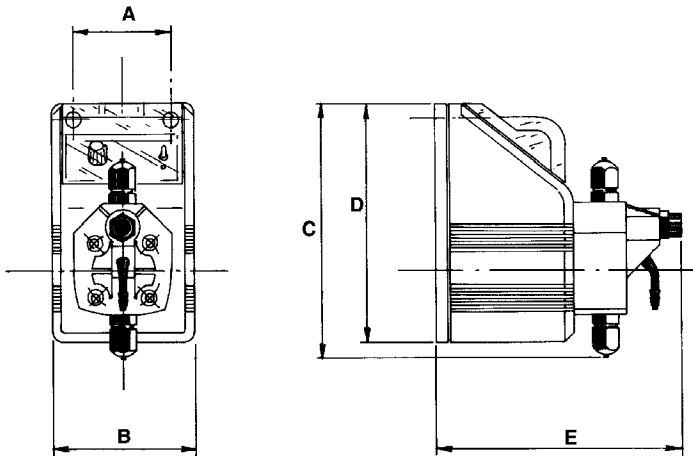
LIQUID ENDS								
	Head	Orings	Valve		Diaphragm	Hose		Viscosity Max CPS
			Body	Balls		Delivery	Suction	
V	Polypropylene	Viton®	Polypropylene	Ceramic	PTFE	Polyethylene	PVC	100
D	Polypropylene	Etilene Propilene	Polypropylene	Ceramic	PTFE	Polyethylene	PVC	100
W	Polypropylene	Nytrile	Polypropylene	Ceramic	PTFE	Polyethylene	PVC	100
T	Polypropylene	Viton®+PTFE	Polypropylene	Ceramic	PTFE	Polyethylene	PVC	100
S	Polypropylene	Silicone	Polypropylene	Ceramic	PTFE	Polyethylene	PVC	100
K	PVDF	Viton®	PVDF	Ceramic	PTFE	PVDF	PVDF	100
P	PVDF	EPDM	PVDF	Ceramic	PTFE	PVDF	PVDF	100

Viton® is a registered trademark of DuPont Dow Elastomers.

"F Self Venting"

INFORMATION							
	Speed Stroke		Power consumption at (230VAC)	Power consumption at (115VAC)	Power consumption at (24VAC/VDC)	Power consumption at (12VDC)	Weight
	Min	Max					
121.5	15	150	16 Watt	11 Watt	10 Watt	10 Watt	2.2 Kg (4.85 Lbs)
102.2	15	150				N/A	
0703	15	150				10 Watt	
0705	15	150					
0606	15	150		13 Watt	11 Watt	N/A	
0507	15	150					
0505	15	150			10 Watt	10 Watt	
036.5	15	150			11 Watt		
038.5	15	150			13 Watt		
1005	15	150				N/A	
0510	15	150	19 Watt	24 Watt			
0311	15	150					
050.2	15	150	16 Watt	11 Watt			

INFORMATION FOR Self Venting MODELS						
	Speed Stroke		Power consumption at (230VAC)	Power consumption at (115VAC)	Power consumption at (24VAC/VDC)	Weight
	Min	Max				
103.2	15	150	16 Watt	16 Watt	N/A	2.2 Kg (4.85 Lbs)
100.6	15	150			16 Watt	
071.5	15	150			16 Watt	
053.2	15	150			16 Watt	
036.5	15	150				
034.7	15	150			N/A	



DIMENSIONS		
	mm	inches
A	63	2.48
B	91.5	3.60
C	168	6.61
D	153.5	6.04
E	160	6.29

IP65 enclosure (NEMA4x)
 "F" series metering pumps are manufactured in molded glass filled Polypropylene housing to ensure protection against aggressive chemicals and tough environment.

MORE INFORMATION								
	Flow				cc per Stroke	Maximum Injection Pressure		
	Min cc/h	Max l/h	Min GPH	Max GPH				
121,5	150	1.5	0.039	0.40	0.17	12 bar	174 PSI	
102,2	220	2.2	0.058	0.58	0.25	10 bar	145 PSI	
0703	300	3	0.079	0.79	0.34	7 bar	101 PSI	
0705	500	5	0.132	1.32	0.56	7 bar	101 PSI	
0505	500	5	0.132	1.32	0.56	5 bar	72 PSI	
0606	600	6	0.158	1.59	0.67	6 bar	87 PSI	
0507	700	7	0.184	1.85	0.78	5 bar	72 PSI	
036,5	650	6.5	0.171	1.72	0.72	3 bar	43 PSI	
038,5	850	8.5	0.224	2.25	0.95	3 bar	43 PSI	
1005	500	5	0.132	1.32	0.56	10 bar	145 PSI	
0510	1000	10	0.264	2.64	1.0	5 bar	72 PSI	
0311	1000	11	0.264	2.91	1.1	3 bar	43 PSI	
050,2	20	0.2	0.0052	0.05	0.23	5 bar	72 PSI	
MORE INFORMATION FOR Self Venting Models								
103,2	320	3.2	0.084	0.85	0.36	10 bar	145 PSI	
100,6	60	0.015	0.005	0.16	0.07	10 bar	145 PSI	
071,5	150	1.5	0.039	0.40	0.36	7 bar	101 PSI	
053,2	320	3.2	0.084	0.85	0.17	5 bar	72 PSI	
036,5	650	6.5	0.171	1.71	0.72	3 bar	43 PSI	
034,7	470	4.7	0.124	1.24	0.52	3 bar	43 PSI	